



The **GP30 Series** is a Cast Aluminum Base with a Square Cast Aluminum Base Cover and a door that provides easy access to the wiring connections.

FEATURES

- Strong, lightweight and easy to install.
- Extruded Aluminum shaft welded to the base.
- 3" tenon standard for luminaire mounting. (Pictured on left)
- Access door for wiring secured with stainless steel screws.
- Ground Lug included inside base.
- Hot Dipped Galvanized Anchor Bolts included.

AVAILABLE EXTRUDED ALUMINUM SHAFTS

AVAILABLE EXTRUDED ALUMINUM SHAFTS			
	4" OD Fluted .125 wall		4" OD Smooth .125 wall
	GP33 - 08		GP34 - 08
	GP33 - 10		GP34 - 10
	GP33 - 12		GP34 - 12
	GP33 - 14		GP34 - 14
	5" OD Fluted .156 wall		5" OD Smooth .125 wall
	GP35 - 08		GP36 - 08
	GP35 - 10		GP36 - 10
	GP35 - 12		GP36 - 12
	GP35 - 14		GP36 - 14

Standard wall thickness and height specified above; contact factory for additional options.

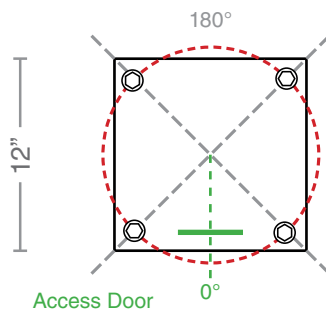
MATERIALS

Base	Cast Aluminum (A319)	Tenon	Cast Aluminum (A319)
Shaft	Extruded Aluminum (6063-T6)	Anchor Bolts	Hot dipped galvanized steel

ACCESSORIES

GFCI	Ground Fault Circuit Interrupter	PCL	Photocell
WIUC	While in Use Cover for GFCI		

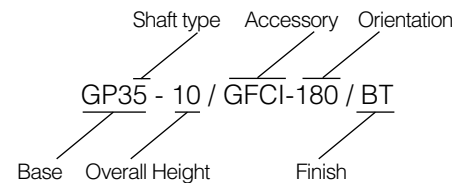
13" Bolt Circle



1/2" x 18" Double Nut
Double Washer, Hot-dipped Galvanized L-Type Anchor Bolts.

4 Anchor Bolts at 90°

ORDERING SEQUENCE



STANDARD FINISH

PREMIUM FINISH

BK	Black	WH	White
BT	Textured Black	CV	Copper Vein
SB	Statuary Bronze	GV	Green Vein
GN	Green	CF	Custom Finish

All decorative aluminum components have an electrostatically applied thermoset scratch-resistant powder coat finish.