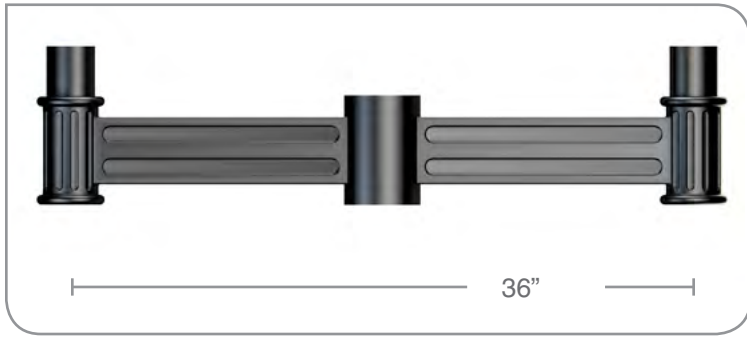
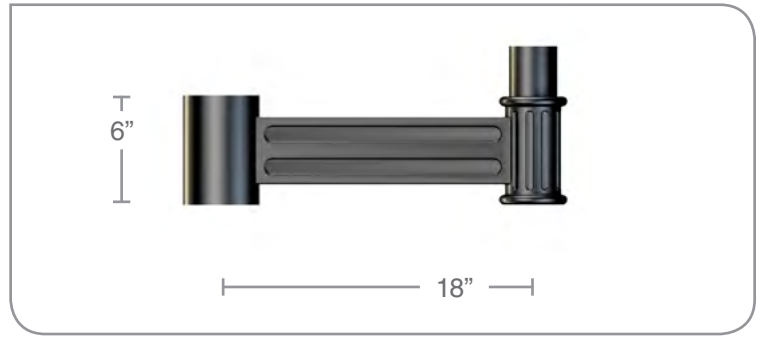


Post-Top Mount: The Post-Top Mounts are made of Cast Aluminum to be lightweight yet strong. They are available with a 3" OD Tenon and come in various styles and size options.



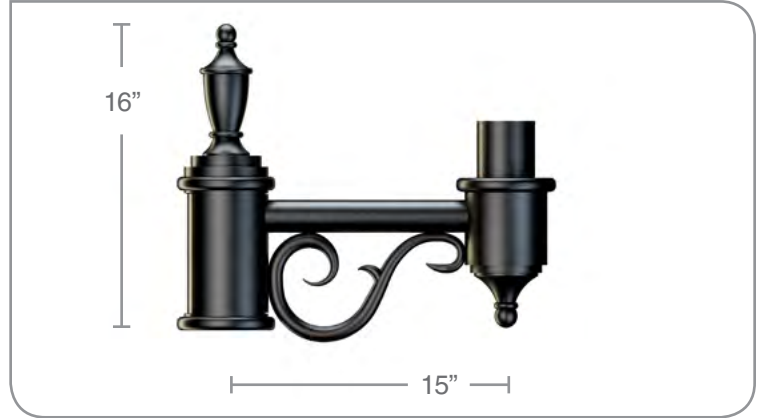
2TM03



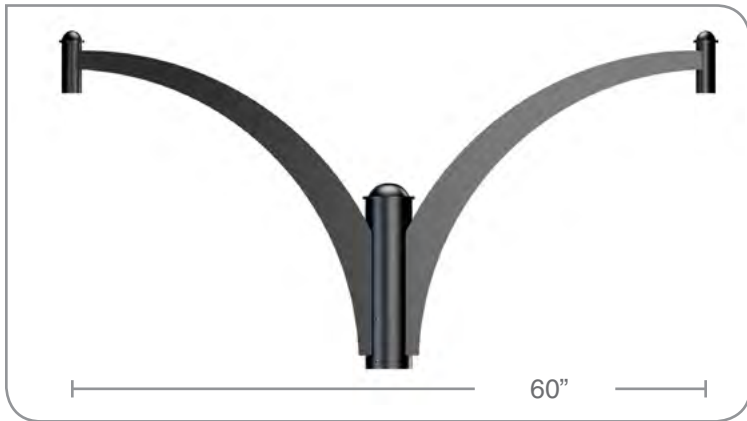
TM03



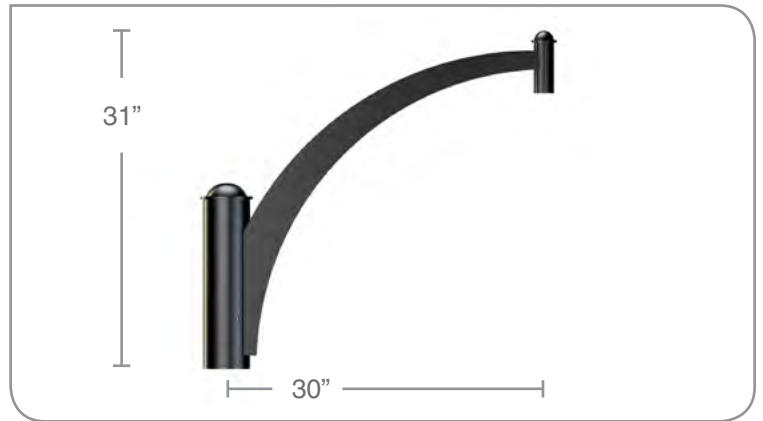
2TM09



TM09

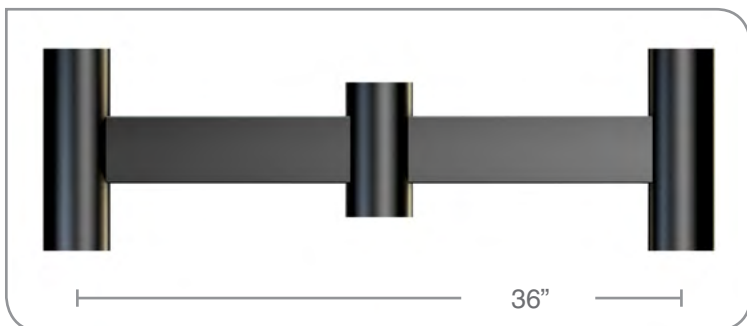


2TM10

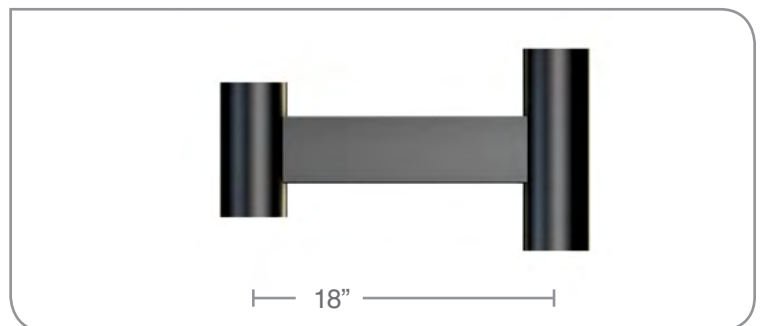


TM10

Custom Post-Top Mount: Post-Top mount Arms are made from Extruded Aluminum tubing for structural strength and can be made to order. Arms can be fabricated to fit any pole and accommodate any light fixture.



2CM02



CM02