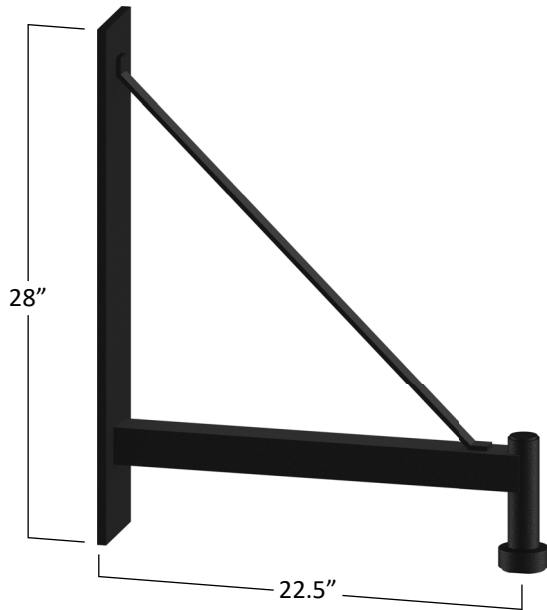


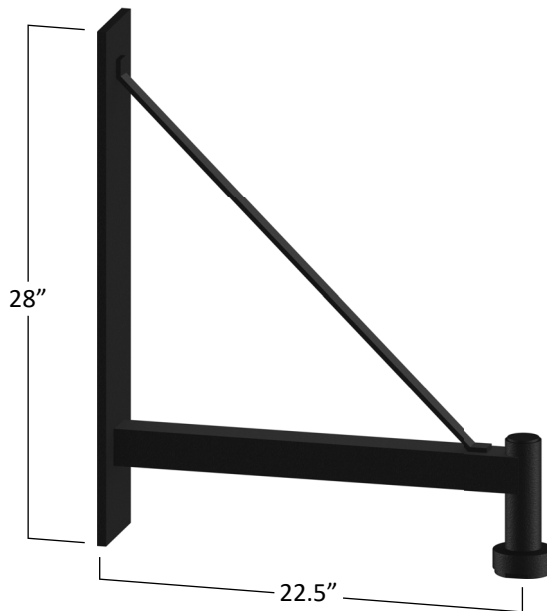


**FOR WALL MOUNTED PENDANT LUMINAIRES**

**CWM08E-1**



**CWM08E-2**



**FEATURES**

- Strong, lightweight and easy to install
- Extruded aluminum arm bracket and backplate (6063)
- Threaded fittings for secure luminaire mounting
- Durable powder coat finish

**WALL MOUNTING**

Due to varying wall surface materials, hardware is NOT provided. Please choose the appropriate anchor for the intended wall type.

**LUMINAIRE MOUNT TYPE**

- 1 - 1 1/4" Pipe - For use with GC6000 Series Luminaires
- 2 - 1 1/2" Pipe - For use with other than GC6000 Series Luminaires

**FINISH**

The bracket will be finished with an electrostatically applied polyester powder coat suitable for exterior use. The bracket is pretreated using industry standard environmentally responsible processes for a long lasting and durable finish.

*Standard Finishes*

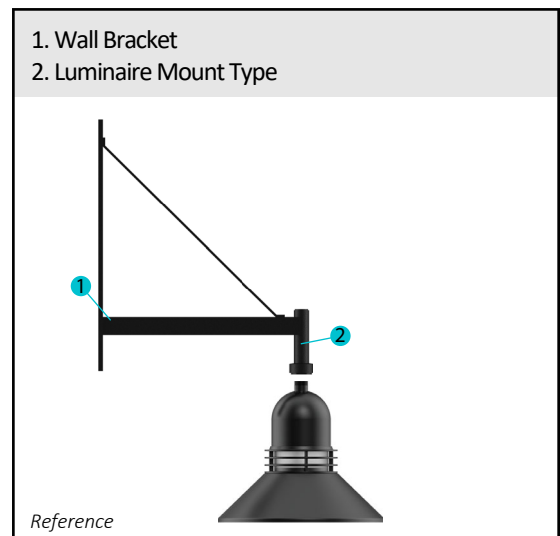
- BK** - Black (Gloss)
- BT** - Black (Textured)
- SB** - Statuary Bronze
- GN** - Green

*Premium Finishes*

- WH** - White (Gloss)
- CV** - Copper Vein
- GV** - Green Vein
- CF** - Custom Finishes

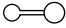
**ORDERING GUIDE**

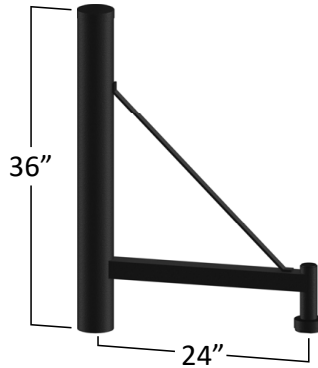
Wall Bracket	Luminaire Mount Type	Finish
EXAMPLE CWM08E	- 1 /	BT
CWM08E	1	BK
	2	BT
		SB
		GN
		Premium Finishes
		WH, CV, GV, CF

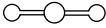


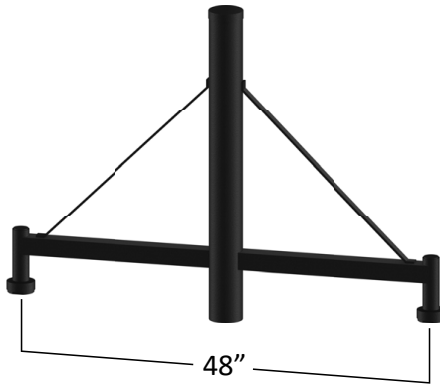


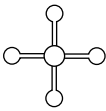
**POST-TOP MOUNT ARMS FOR PENDANT LUMINAIRES**

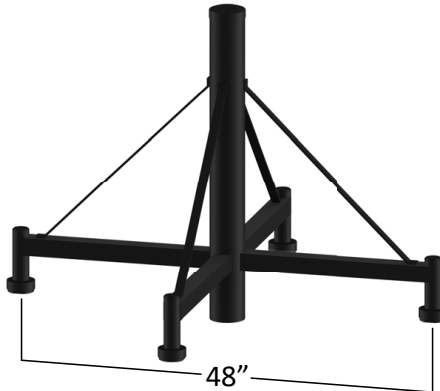
  
**CMx08E-1**  
**CMx08E-2**  
 T  
 Center Column



  
**2CMx08E-1**  
**2CMx08E-2**



  
**4CMx08E-1**  
**4CMx08E-2**



**FEATURES**

- Strong, lightweight and easy to install
- Extruded aluminum post-top mount bracket (6063)
- Threaded fittings for secure luminaire mounting
- Durable powder coat finish

**POLE MOUNTING**

Installed using (6) 5/16" black oxide stainless steel set screws.

*Requires internal tenon - see center column below*

**CENTER COLUMN**

- 3** - 3"OD (Accepts 2 1/2" OD x 4"-6" Tall Tenon)
- 3P** - 3 1/2"OD (Accepts 3" OD x 4"-6" Tall Tenon)
- 4** - 4"OD (Accepts 3 1/2" OD x 4"-6" Tall Tenon)
- 4P** - 4 1/2"OD (Accepts 4" OD x 4"-6" Tall Tenon)
- 5** - 5"OD (Accepts 4 1/2" OD x 4"-6" Tall Tenon)
- 5P** - 5 1/2"OD (Accepts 5" OD x 4"-6" Tall Tenon)

**LUMINAIRE MOUNT TYPE**

- 1** - 1 1/4" Pipe - *For use with GC6000 Series Luminaires*
- 2** - 1 1/2" Pipe - *For use with other than GC6000 Series Luminaires*

**FINISH**

The arms will be finished with an electrostatically applied polyester powder coat suitable for exterior use. The arms are pretreated using industry standard environmentally responsible processes for a long lasting and durable finish.

Standard Finishes

- BK** - Black (Gloss)
- BT** - Black (Textured)
- SB** - Statuary Bronze
- GN** - Green

Premium Finishes

- WH** - White (Gloss)
- CV** - Copper Vein
- GV** - Green Vein
- CF** - Custom Finishes

**ORDERING GUIDE**

	Number Of Arms	Center Column	Bracket Style	Luminaire Mount Type	Finish
<b>EXAMPLE</b>	CM	3	O8E	- 1	/ BT
	CM	3	O8E	1	BK
	2CM	3P		2	BT
	4CM	4			SB
		4P			GN
		5			Premium Finishes
		5P			WH, CV, GV, CF

