



FEATURES

- Strong, lightweight and easy to install
- Heavy duty cast aluminum housing
- Heavy duty extruded aluminum shaft
- Durable Powder Coat Finish
- 10v dimming capability
- Variety of optical distributions available

LED LIGHT SOURCE

OPTIONS

- 3 Power Levels
- 4 Color Temperatures
- 4 Light Distributions

MATERIALS

- Housing - Cast Aluminum (A356)
- Shaft - Extruded Aluminum (6061-T6)
- Anchor Bolts - Hot Dipped Galvanized
- Hardware - Stainless Steel

ACCESSORIES

- **MS** - Motion Sensor
- **TPCL** - Twist Lock Photocell
- **PCLL** - Button Photocell
- **SP1** - 10kV/10kA Surge Protection

ANCHORAGE

- 3/8" x 12" x 3" Hot-dipped galvanized steel L-type anchor bolts
- (4) Bolts with (2) nuts, (2) washers per bolt included

FINISH

The fixture will be finished with an electrostatically applied polyester powder coat suitable for exterior use. The bollards are pretreated using industry standard environmentally responsible processes for a long lasting and durable finish.

Standard Finishes

- BK** - Black (Gloss)
- BT** - Black (Textured)
- SB** - Statuary Bronze
- GN** - Green

Premium Finishes

- WH** - White (Gloss)
- CV** - Copper Vein
- GV** - Green Vein
- CF** - Custom Finishes

LED LIGHT SOURCE CONFIGURATIONS

- G2LED18**—1 Driver, 1 LED Module, 1 Optic
- G2LED26**—1 Driver, 1 LED Module, 1 Optic
- G2LED40**—1 Driver, 1 LED Module, 1 Optic

DRIVER

0-10v Dimming Compatible
120 to 277 Auto Sensing
Class 2, Class P
Minimum Rating IP66

LED OPTICS

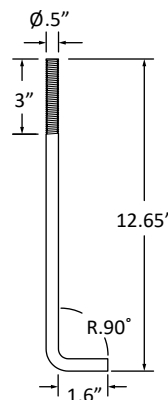
2X6 Multi Lens
PMMA (Acrylic)
IES Type II, III, IV, V
Silicone Gasket
IP66 System

LED MODULE

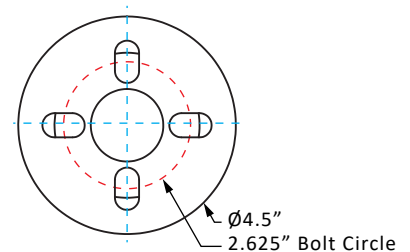
70CRI—2700, 3000, 4000, 5000 CCT

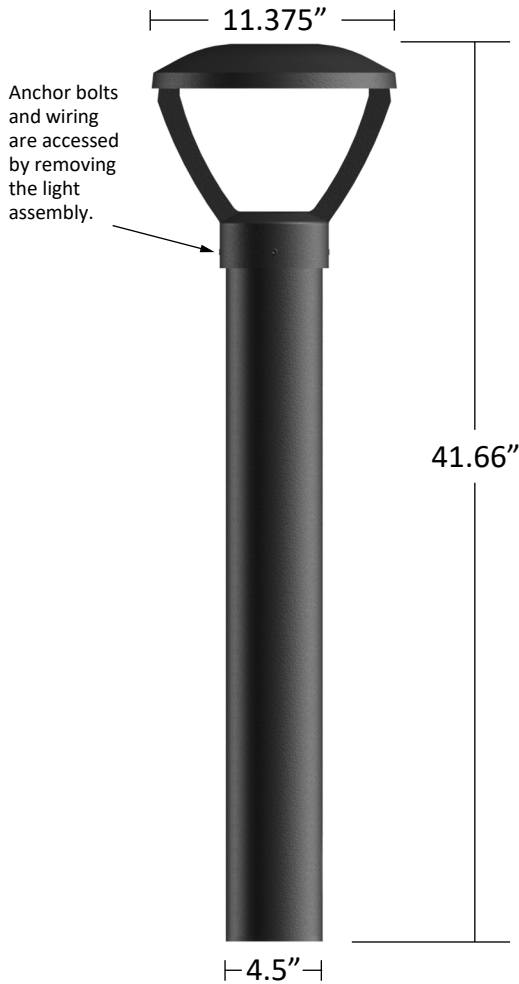
ANCHOR DETAILS

- (4) 3/8" Galvanized Steel L-Type Anchor Bolts
- (8) 3/8" Galvanized Steel Hex Nuts
- (8) 3/8" Galvanized Steel Flat Washers
- (8) 1/2" Galvanized Steel Flat Washers



BOLT CIRCLE DETAILS





Product Family Members
(see product spec sheets for additional info)
(not to scale)



LED Light Source Performance Data

GB09			2700K (27K)		3000K (30K)		4000K (40K)	
MODULE NAME	NOM WATT	DISTRIBUTION TYPE	DELIVERED LUMENS	EFFICACY (LPW)	DELIVERED LUMENS	EFFICACY (LPW)	DELIVERED LUMENS	EFFICACY (LPW)
G2LED18	18	T2						
		T3						
		T4						
		T5						
G2LED26	26	T2						
		T3						
		T4						
		T5						
G2LED40	41.2	T2						
		T3						
		T4						
		T5						

PENDING

LED Drivers are auto voltage sensing, standard 120V through 277V
(347-480V Version Available-Consult Factory)

ORDERING GUIDE

Bollard	LED Light Source	Distribution Type	CCT	Optional Accessories	Finish
EXAMPLE GB09	G2LED18	T5	40K	MS	BT
GB09	G2LED18	T2	27K	MS	BK
	G2LED26	T3	30K	TPCL	BT
	G2LED40	T4	40K	PCLL	SB
		T5		SP1	GN
					Premium Finishes WH, CV, GV, CF
				Required	Optional
					Required